

NLED920* serija

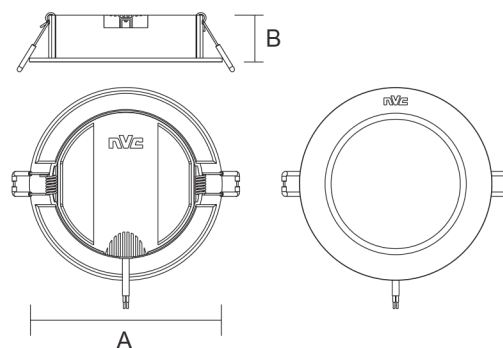


PRIMENA

- Tržni centri
- Maloprodajni objekti
- Kancelarije
- Stambene prostorije

TEHNIČKI DETALJI

- Kućište izrađeno od polikarbonata
- ETI SMD LED



Model	A	B	Cut-out
NLED92025	Ø95	51	Ø75~85
NLED9203	Ø110	56	Ø95~95
NLED9204	Ø125	36	Ø100~110
NLED9205	Ø150	36	Ø125~135
NLED9206	Ø175	37	Ø150~160
NLED9208	Ø225	37	Ø198~208

Modeli	Jačina	Temperatura boje	Lumeni	CRI	PF	Ugao zraka
NLED92025	3W	3000K/4000K/5700K	180 lm	>80	0.5	90°
NLED9203	5W	3000K/4000K/5700K	300 lm	>80	0.5	90°
NLED9204	8W	3000K/4000K/5700K	480 lm	>80	0.5	100°
NLED9205	12W	3000K/4000K/5700K	720 lm	>80	0.5	100°
NLED9206	15W	3000K/4000K/5700K	900 lm	>80	0.5	100°
NLED9208	18W	3000K/4000K/5700K	1,100 lm	>80	0.5	100°